

Fiber Optic ATR-Probes for Harsh Environment



art photonics

FlexiSpec[®]

High throughput in selected parts
of Near & Mid InfraRed-spectra

ATR-tip shaped for immersion
in liquid flow without dead zone

Robust for industrial applications
in harsh environment up to 250°C

Resistant to high pressure

Compatible with all spectrometers
and automated process-interfaces

FlexiSpec[®] probes from *art photonics* include new type of Attenuated Total Reflection (ATR-) probes designed for harsh application conditions.

HT-ATR immersion IR-fiber probes can be used for process-spectroscopy in Near & Mid IR range to monitor reactions in-line in a broad temperature range from -150° to +250°C. They can resist to high pressures up to 200Bar and used with FTIR or any other IR-spectrometers and spectral sensors in automated process control with process-interfaces

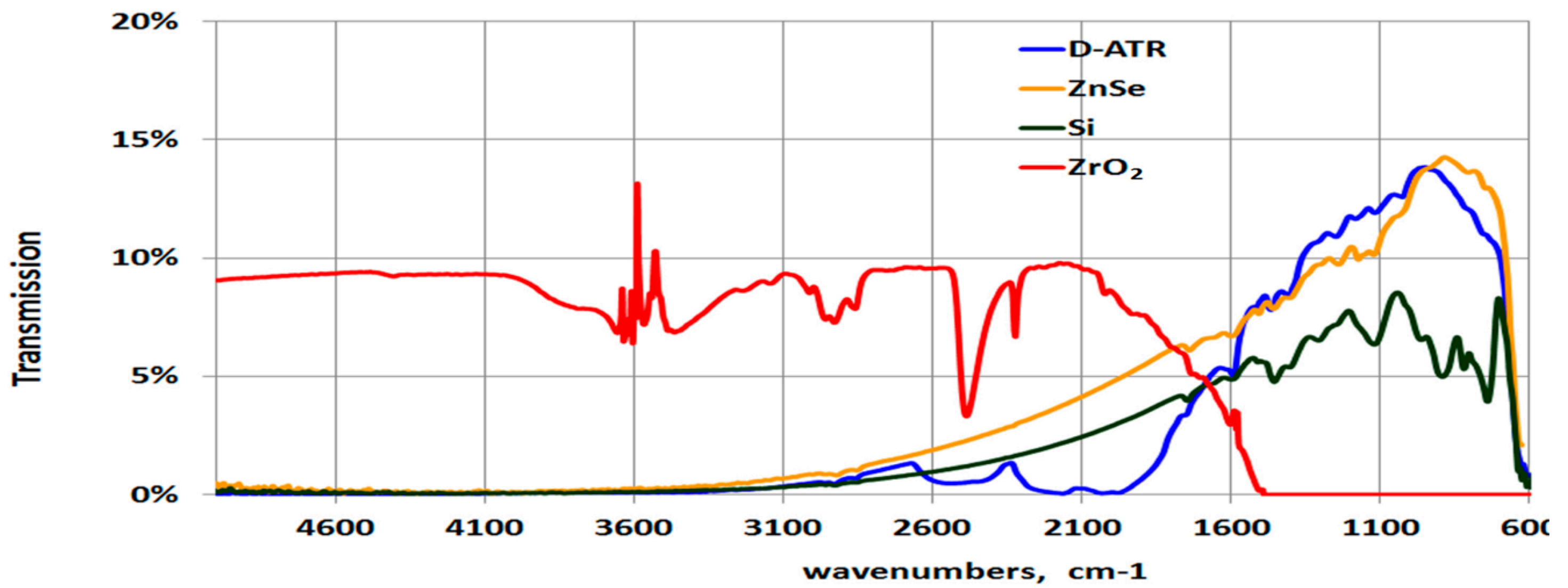
Applications:

- Remote Reaction Monitoring in-line in temperature range -150/+250°C
- PAT applications in lab, pilot plant or industry with process-interfaces for automated process control
- Polymerization Process Control
- In-situ IR-Spectroscopy for PAT in Chemical, Petrochemical, Atomic, Biopharmaceutical & Food Industry

broad spectra fiber solutions

www.artphotonics.com

Transmission spectra of ATR probes. Probe length 1.5m

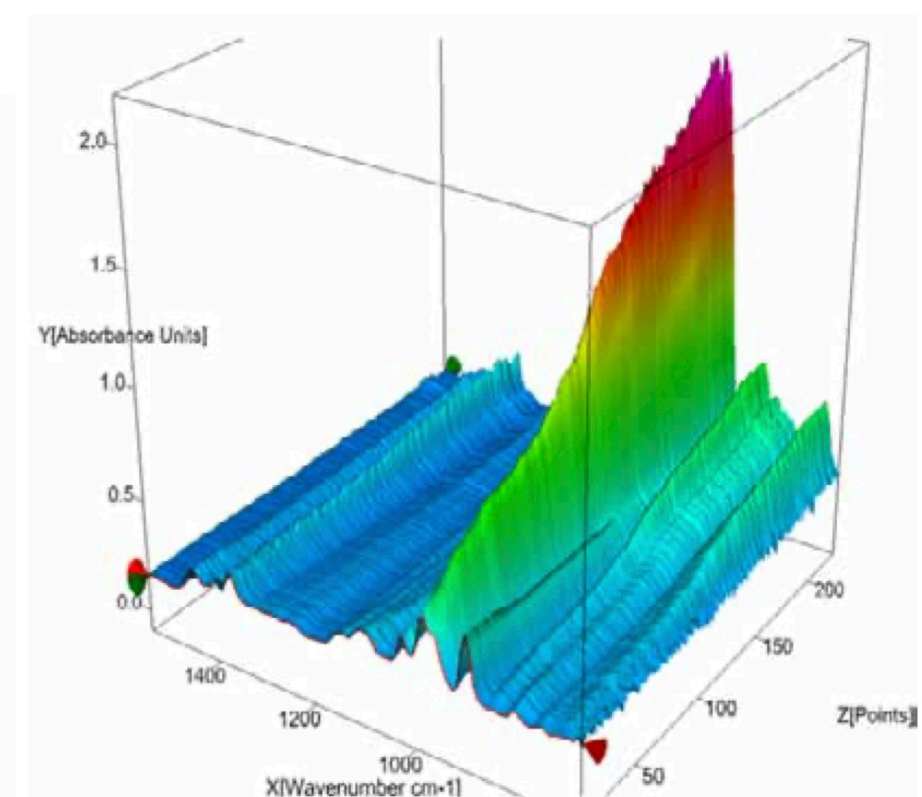
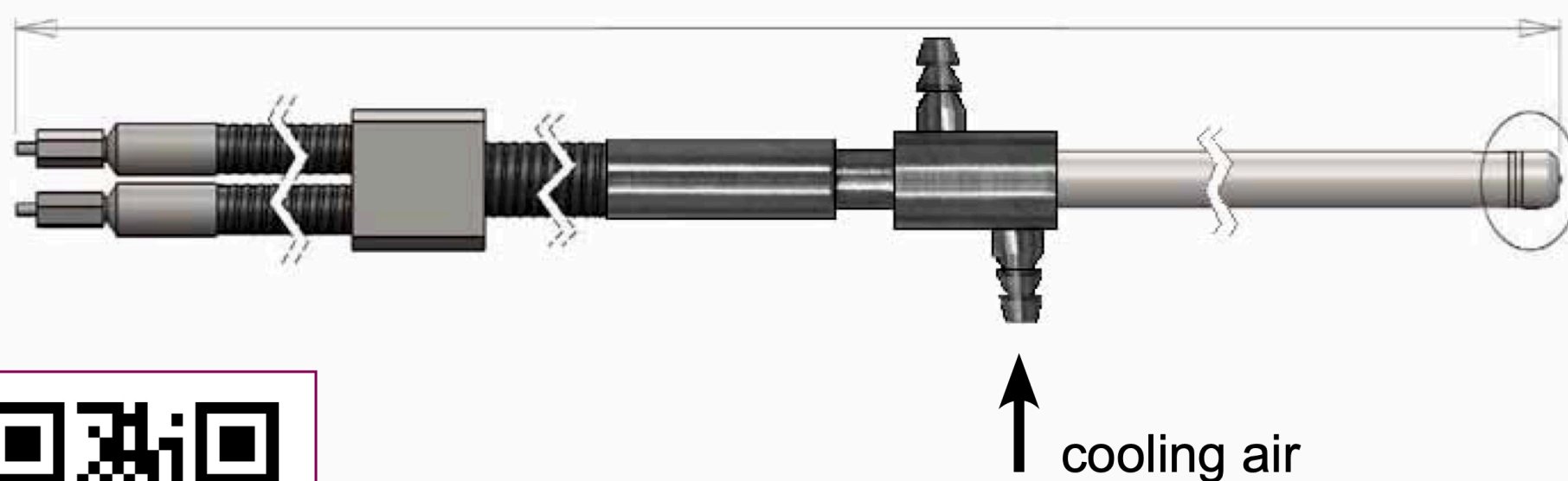


Specification of IR-Fiber HT-ATR-Probes for High Temperatures *FlexiSpec*[®]

Probe type	Diamond ATR	Silicon ATR	Cubic Zirconium ATR
Transmission range	5.2-17µm (600-1900cm ⁻¹)	3.2-17µm (600-3100cm ⁻¹)	1.1-6.5µm (1550-6650cm ⁻¹)
Fiber type	PIR-900/1000 Silver Halide	PIR-900/1000 Silver Halide	Chalcogenide glass (As-S)
Temperature range	-150°C / + 250°C	-150°C / + 250°C	-150°C / + 200°C
Pressure (max)	200Bar	100Bar	100Bar

Common Parameters of HT-ATR-Probes for High Temperatures *FlexiSpec*[®]

Total Length	1.5m (opt.: 1m to 5m)*
Shaft Length	300 mm (opt.: 300-700 mm)*
Shaft Diameter	12mm
Shaft Material	Hastelloy C22
Length of Legs	500mm (opt.: 200mm to 500mm)
Protective Tube Material	Liquid Tight SS-Conduit, KOPEX-Tube
Minimal Bending Radius	130mm
Input / Output Connectors	Long SMA (opt.: any other type)
Cooling Air Flow Parameters	Excess pressure 0.5Bar, Flow 2300l/h
Inner temperature control	Inside the shaft to control ATR tip temperature



artphotronics.com

art photonics GmbH
Rudower Chaussee 46
12489 Berlin Germany

Phone + 49 (0) 30-6779 887-0
sales@artphotronics.com
www.artphotronics.com

QAS Int. - certified
DIN EN ISO 9001:2008
Zertifikat Nr. A1887GER

